









Links Notes

Def : _____

Direct	Indirect
Rigid	Flexible
Complete	Partial
Removable	Non-removable

			
Direct or indirect Rigid or flexible Complete or partial Removable or non-r	Direct or indirect Rigid or flexible Complete or partial Removable or non-r	Direct or indirect Rigid or flexible Complete or partial Removable or non-r	Direct or indirect Rigid or flexible Complete or partial Removable or non-r
			
Direct or indirect Rigid or flexible Complete or partial Removable or non-r	Direct or indirect Rigid or flexible Complete or partial Removable or non-r	Direct or indirect Rigid or flexible Complete or partial Removable or non-r	Direct or indirect Rigid or flexible Complete or partial Removable or non-r

Guiding Components

- _____

- _____

Translational	Rotational	Helical

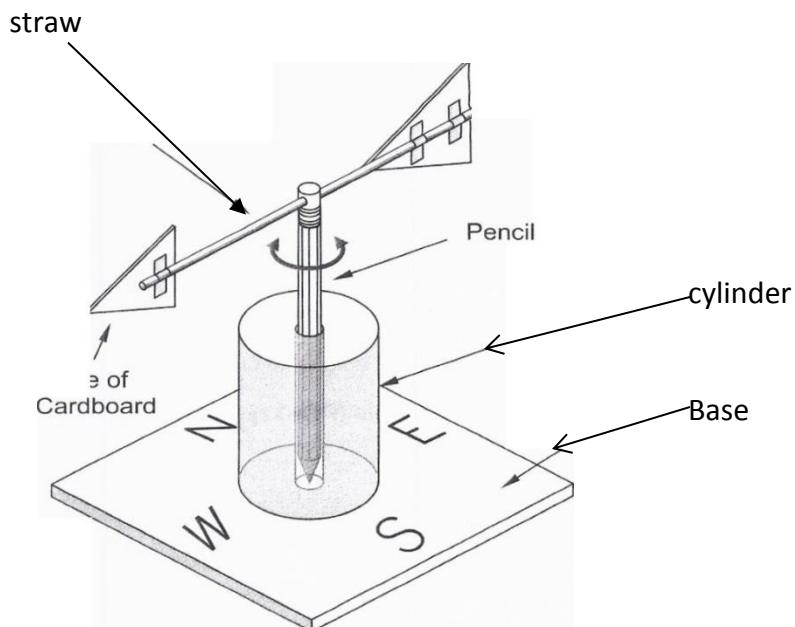
--	--	--

Give the type of guiding control and state what is controlling the motion.

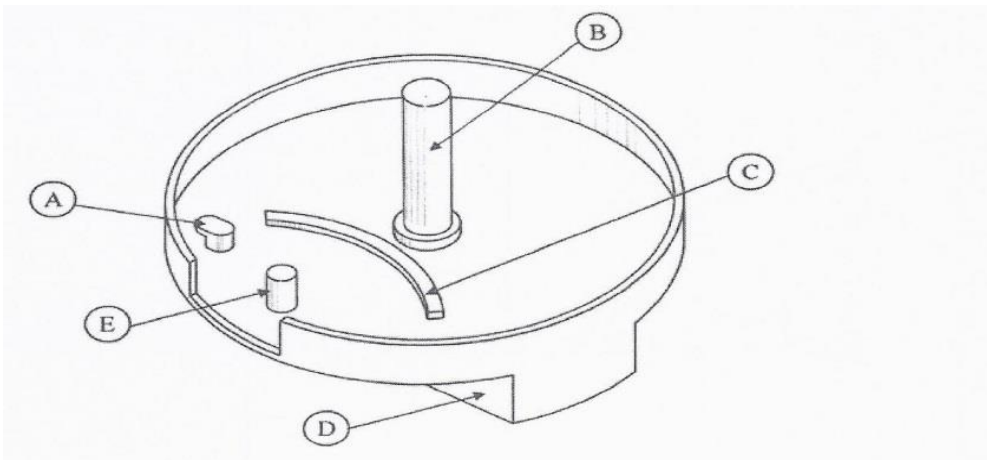


Past exam questions

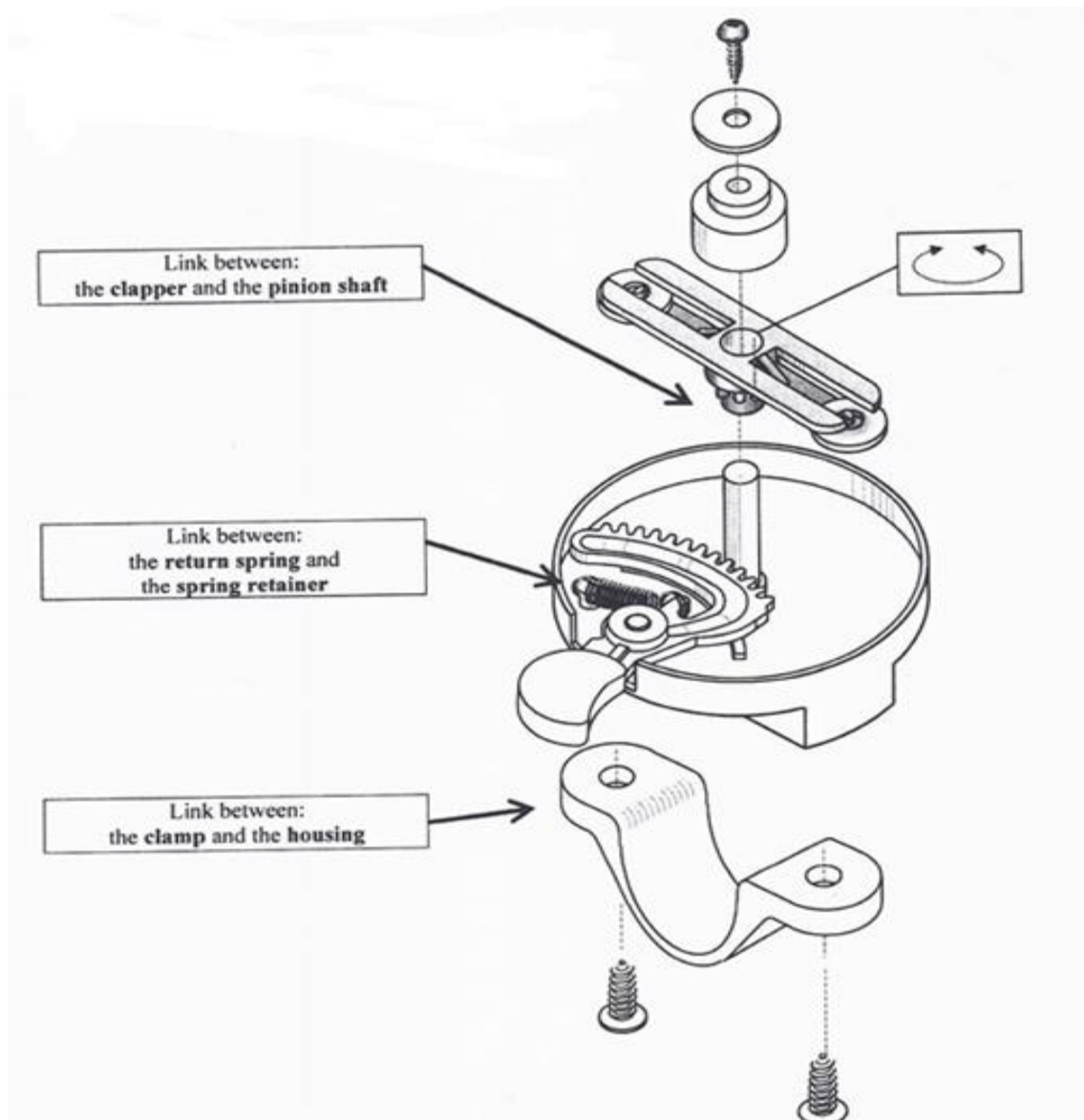
1. A weather vane is a device used to indicate the direction of the wind. You have made a weather vane like the one shown below.
 - a- Specify what **acts** as a guiding control for the pencil when the weather vane is in operation.
 - b- Indicate the **type** of guiding involved.



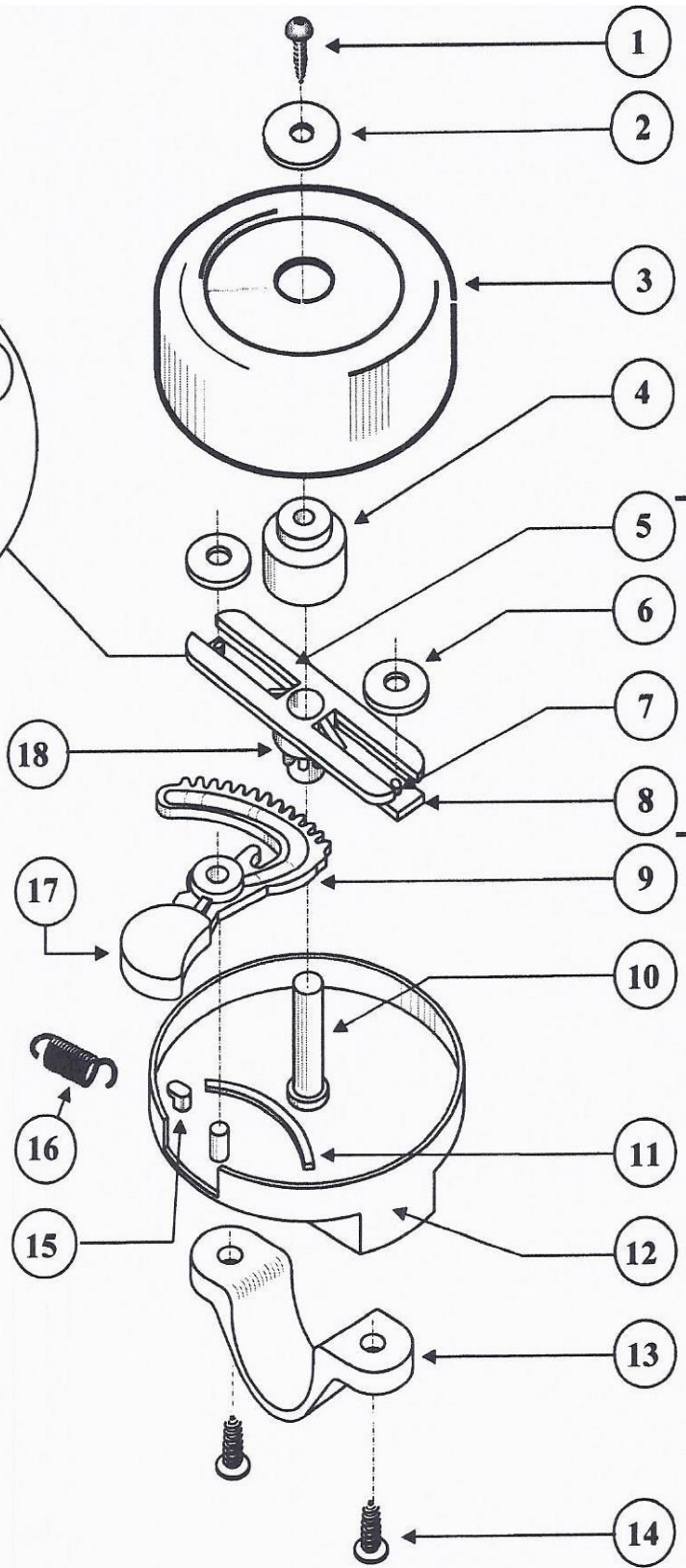
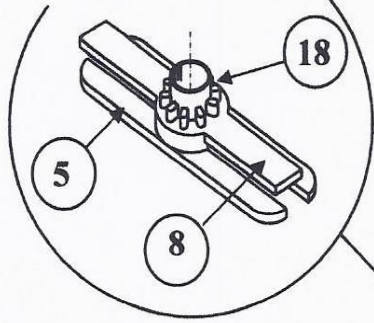
2. Using the picture below, indicate **two** components of the 5 listed needed to guide the rack and indicate the type of guiding control involved.



3. Give the links for the picture below. Write the answer below each section.



Close-up of clapper
Bottom view



ITEM	QTY	NAME
1	1	Screw
2	1	Washer
3	1	Dome
4	1	Cap
Clapper	5	Upper pivot blade
	6	Hammer
	7	Pin
	8	Lower pivot blade
9	1	Rack
10	1	Pinion shaft
11	1	Guide rail
12	1	Housing
13	1	Clamp
14	2	Screws
15	1	Spring retainer
16	1	Return spring
17	1	Button
18	1	Pinion